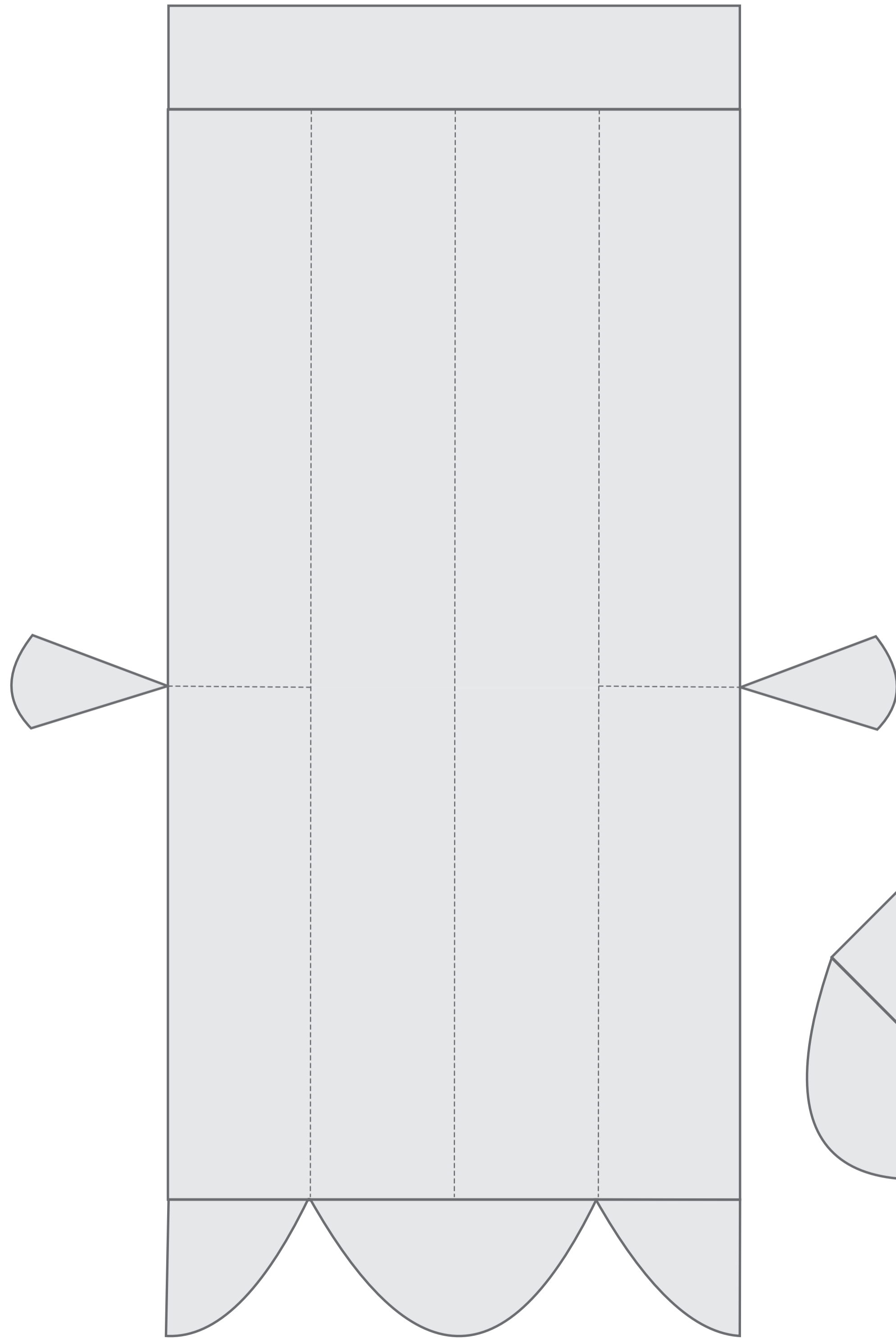


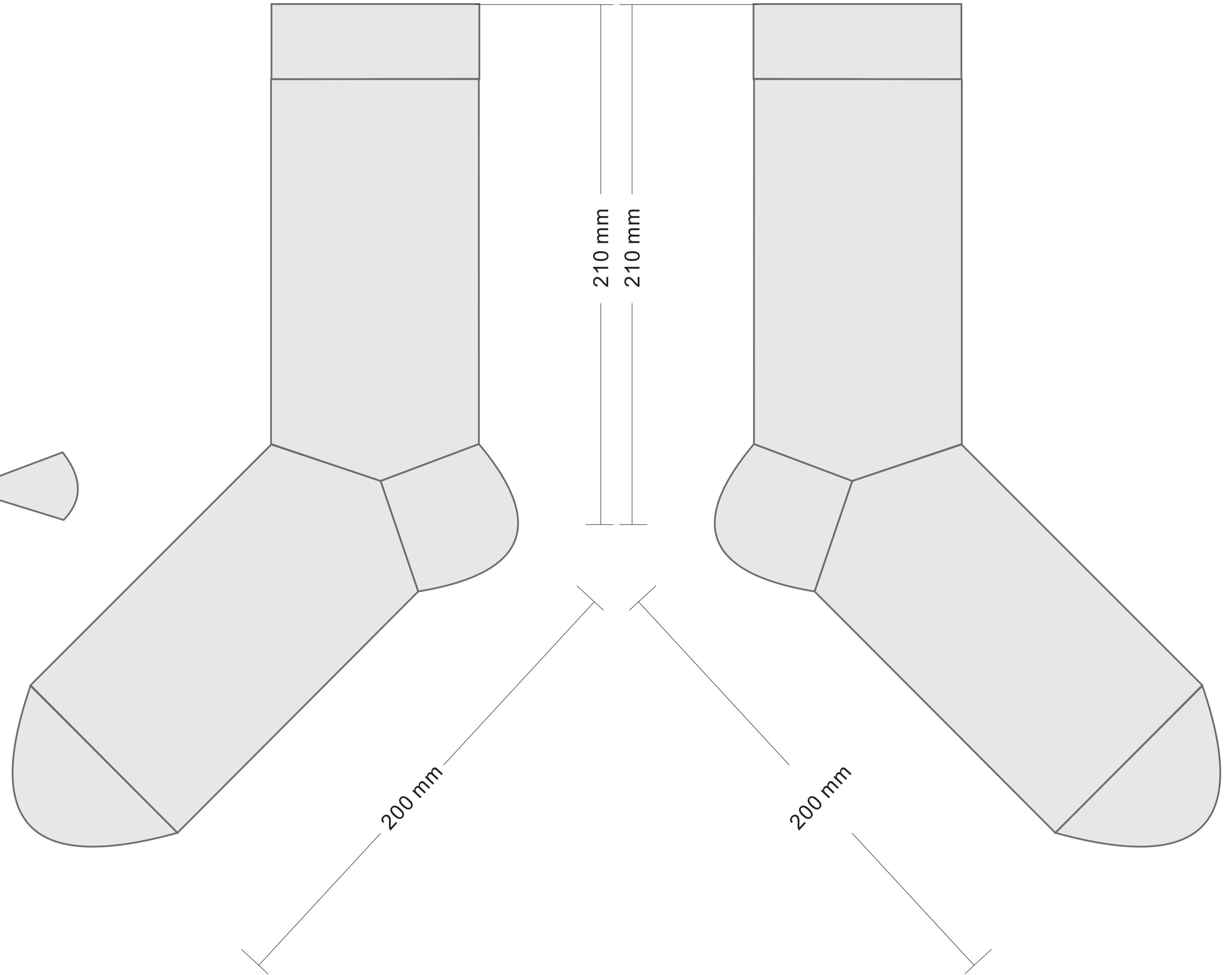
LEFT SIDE

RIGHT SIDE



RIGHT SIDE

LEFT SIDE



MAXIMUM 10 COLOURS FOR BACKGROUND MATERIAL.
LOGOS MAXIMUM OF 5 COLOURS.

MINIMUM TEXT HEIGHT IS 3mm, MEASURED
AGAINST LOWER CASE LETTERS WITH NO
ASCENDERS OR DESCENDERS.